



842-PP



840-PP

841-PP

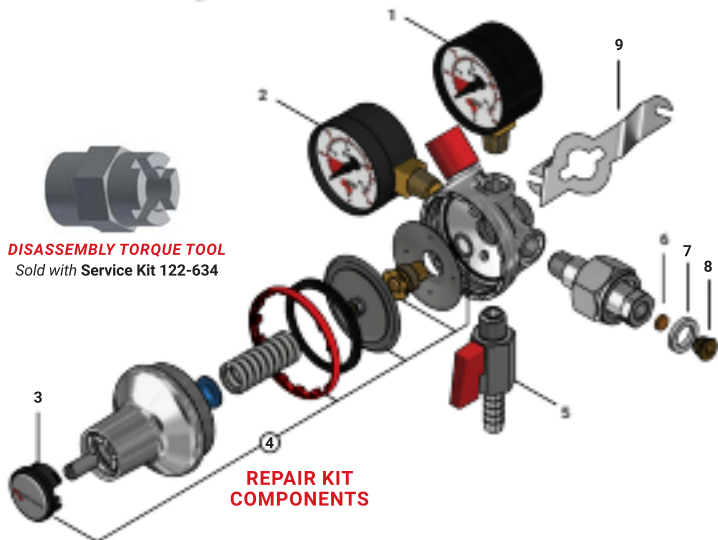


842WM6-PP



942BN-PP

DISASSEMBLY TORQUE TOOL
Sold with Service Kit 122-634



REPAIR KIT COMPONENTS

PREMIUM PLUS REGULATORS

PREMIUM PLUS PRIMARY LOW PRESSURE 0 – 60 PSI REGULATOR FEATURES:

- Safety relief valve releases at 55 – 70 psi
- Factory leak tested for accuracy and performance
- Tamper evident adjustment screw and bonnet
- Fixed exchangeable inlet seal
- Enlarged CO₂ port for high volume
- Premium quality metal gauges

PART NO.	DESCRIPTION
----------	-------------

PRIMARY CO₂

842-PP	Double gauge CO ₂ regulator - Premium Plus
842-HB-PP	Double gauge CO ₂ regulator with check valve - Premium Plus
842-2-PP	Double gauge CO ₂ regulator, 2 shutoffs - Premium Plus
842-BATTERY-PP	Dual CO ₂ regulator battery - Premium Plus
841-ADDON-PP	CO ₂ regulator add on - Premium Plus
842-15-PP	Double gauge CO ₂ regulator, 0 – 15 psi - Premium Plus
841-PP	Single gauge CO ₂ regulator - Premium Plus
841-2-PP	Single gauge CO ₂ regulator, 2 shutoffs - Premium Plus
840-PP	Gauge-less CO ₂ regulator, preset at 30 psi - Premium Plus

NITROGEN

842N-15-2-PP	Double gauge nitrogen regulator, 0 – 15 psi, 2 shutoffs - Premium Plus
842N-15-PP	Double gauge nitrogen regulator, 0 – 15 psi, Premium Plus
842N-PP	Double gauge nitrogen regulator, Premium Plus

WALL MOUNT REGULATOR

842WM6-PP	Double gauge CO ₂ regulator with 6 ft hose - Premium Plus
842WM6-2-PP	Double gauge CO ₂ regulator with 6 ft hose, 2 shutoffs - Premium Plus

PREMIUM PLUS PRIMARY HIGH PRESSURE 0 – 120 PSI REGULATOR FEATURES:

- Adjust pressure from 10 to 110 psi
- Factory leak tested for accuracy and performance
- Tamper evident adjustment screw and bonnet
- Fixed exchangeable inlet seal
- Enlarged CO₂ port for high volume
- Safety relief valve releases at 115 – 130 psi

PART NO.	DESCRIPTION
----------	-------------

942-PP	Soda – Double gauge CO ₂ regulator - Premium Plus
942B-PP	Beer – Double gauge CO ₂ regulator - Premium Plus

HIGH PRESSURE NITROGEN REGULATOR

942BN-PP	Beer – Double gauge nitrogen regulator - Premium Plus
----------	---

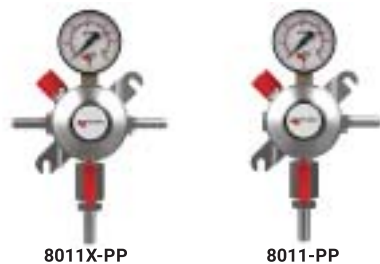
PREMIUM PLUS SERIES COMPONENTS

NO.	PART NO.	DESCRIPTION
1	3450007	Pressure gauge 0 – 60 psi
1A	3450016	Pressure gauge 0 – 15 psi
1B	3450120	Pressure gauge 0 – 120 psi
2	3450007-R	Pressure gauge 0 – 3000 psi
3	791-046W	Tamper evident cap for CO ₂ (white cap)
3	791-047B	Tamper evident cap for N (black cap)
4	122-634	Service kit WITH TOOL
4A	122-635	Service kit without tool
5	1319146	Shutoff device 5/16" barb
5A	1319081	Shutoff device 1/4" barb
5B	1600CAB	Shutoff with check valve
6	3500138	CO ₂ filter
6A	3500139	Nitrogen filter
7	3200086-N	Nylon CO ₂ inlet seal
7A	122-192	O-ring nitrogen
8	4201075	Retaining nut CO ₂
8A	4201085	Retaining nut nitrogen
9	107-782	Wall bracket for regulator

PREMIUM PLUS REGULATORS

PREMIUM PLUS LOW PRESSURE SECONDARY REGULATOR FEATURES:

- Safety relief valve releases at 55 – 70 psi
- Tamper evident adjustment screw and bonnet
- Factory leak tested for accuracy and performance
- Enlarged CO₂ port for high volume



8011X-PP

8011-PP



8022-PP



3450120

3450007-R



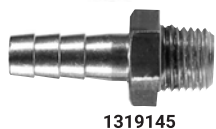
3105679-NPT



1319146



107-782



1319145



3903227

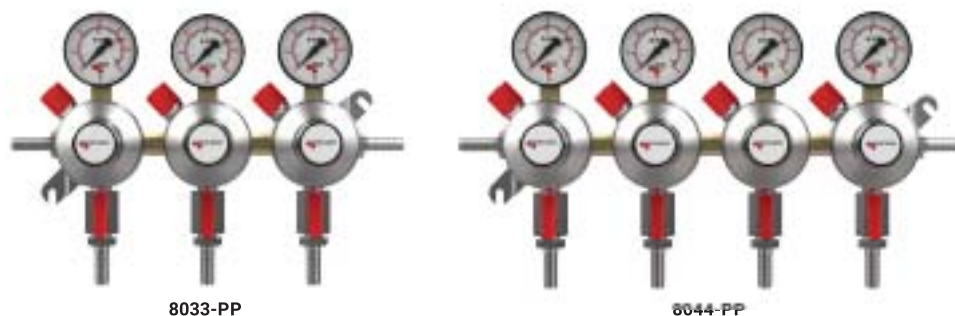


791-046W

791-047B

PART NO.	DESCRIPTION
8011X-PP	CO ₂ regulator, 1 pressure / 1 product – pass-thru barbs - Premium Plus
8011-PP	CO ₂ regulator, 1 pressure / 1 product – plug/barb - Premium Plus
8011-15-PP	CO ₂ regulator, 1 pressure up to 15 psi / 1 product - Premium Plus
8022-PP	CO ₂ regulator, 2 pressure / 2 product - Premium Plus
8033-PP	CO ₂ regulator, 3 pressure / 3 product - Premium Plus
8044-PP	CO ₂ regulator, 4 pressure / 4 product - Premium Plus

PART NO.	DESCRIPTION
9011B-PP	10 – 110 psi high pressure secondary - Premium Plus



8033-PP

8044-PP

REPLACEMENT PARTS

REPLACEMENT GAUGES

PART NO.	DESCRIPTION	USE
3450016	0-15 lbs – R.H. threads	Output pressure
624-030	30 lbs – R.H. threads reset to zero adjustment	Output pressure
3450007	60 lbs – R.H. threads	Output pressure
3450120	0-120 lbs – R.H. threads	Output pressure
3450007-R	3,000 lbs – L.H. threads	Tank pressure

REGULATOR NIPPLES

PART NO.	DESCRIPTION
1319145	3/8" barb, nickel
1300377-5LW-NPT	1/4" barb, nickel

PLUGS

PART NO.	DESCRIPTION
1319068	Plug

CONNECTOR NIPPLES

Use to connect secondary regulators.

PART NO.	DESCRIPTION
3903227	2" x 1/4" NPT, nickel

WALL BRACKET

PART NO.	DESCRIPTION
107-782	Wall bracket for regulator
4201070	Replacement nut for bracket

SHUTOFF VALVES

PART NO.	DESCRIPTION
1319146	Shutoff 3/8" barb
1319081	Shutoff 1/4" barb
1600CAB	3/8" Shutoff with check valve

CO₂ "Y"

PART NO.	DESCRIPTION
3105679-NPT	Add to any regulator when requiring two or more shutoffs

CAP

PART NO.	DESCRIPTION
791-046W	Tamper evident white cap for CO ₂
791-047B	Tamper evident black cap for N